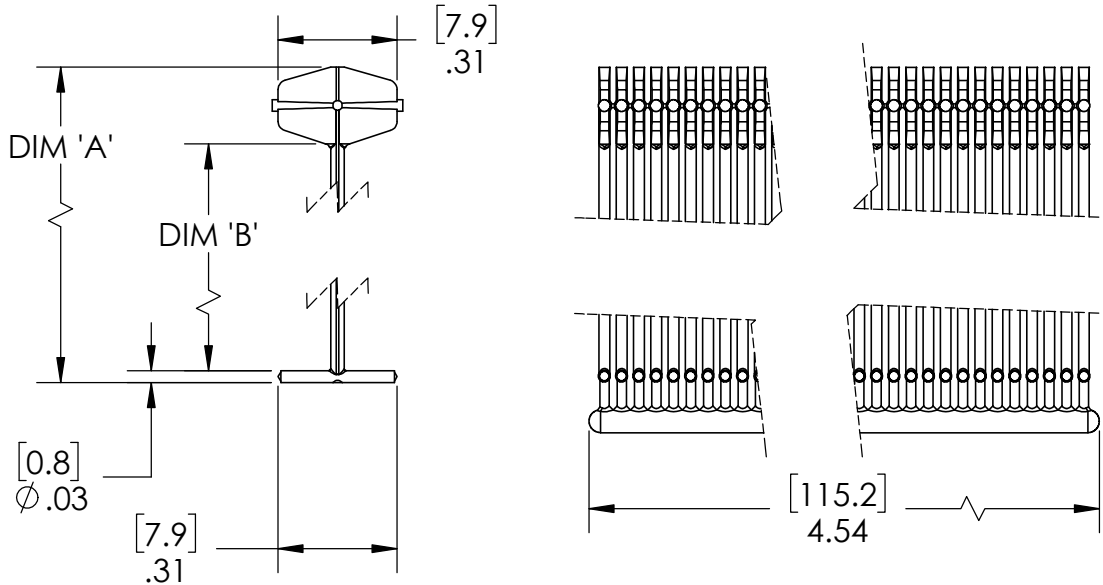


# AVERY DENNISON MARKETING SPECIFICATION

© 2019 AVERY DENNISON CORPORATION. ALL RIGHTS RESERVED

## HISTORY

REV.	DATE	DESCRIPTION
C	10.22.20	ADD 17056-0 THRU 17059-0



STOCK NUMBER	REV	COLOR	DIM 'A'	DIM 'B'	WEIGHT/CLIP
17050-0	A	LT GRAY	.75 [19]	.5 [13]	3.2 GRAMS
17051-0	A	GRAY	.75 [19]	.5 [13]	3.2 GRAMS
17052-0	A	LT GRAY	2.25 [57]	2.0 [51]	4.4 GRAMS
17053-0	A	GRAY	2.25 [57]	2.0 [51]	4.4 GRAMS
17054-0	A	LT GRAY	1.25 [32]	1.0 [25]	3.7 GRAMS
17055-0	A	GRAY	1.25 [32]	1.0 [25]	3.7 GRAMS
17056-0	A	LT GRAY	1.63 [42]	1.38 [35]	4.4 GRAMS
17057-0	A	GRAY	1.63 [42]	1.38 [35]	4.4 GRAMS
17058-0	A	LT GRAY	2.02 [52]	1.77 [45]	3.7 GRAMS
17059-0	A	GRAY	2.02 [52]	1.77 [45]	3.7 GRAMS

NOMINAL TENSILE STRENGTH	2.5 LB [1135g] MIN
MATERIAL	>70% rPA; </=20% PA; </= 8% COLOR CONC.
WEIGHT	SEE TABLE
CLIP QUANTITY	100
APPLICATION TOOL	MARK III SWIFTACH FF TOOL 10312
PACKAGED IN	10000 PER INNER CARTON 100000 PER MASTER CARTON

APPROVALS: ENG. APPR. *Dave Schuttler 10.22.20*  
Q.A. APPR. *Rick Estano 10.23.20*



FASTENER DIVISION  
FITCHBURG, MA 01420 U.S.A.  
TEL. 1-800-225-5913  
FAX. 978-353-8157

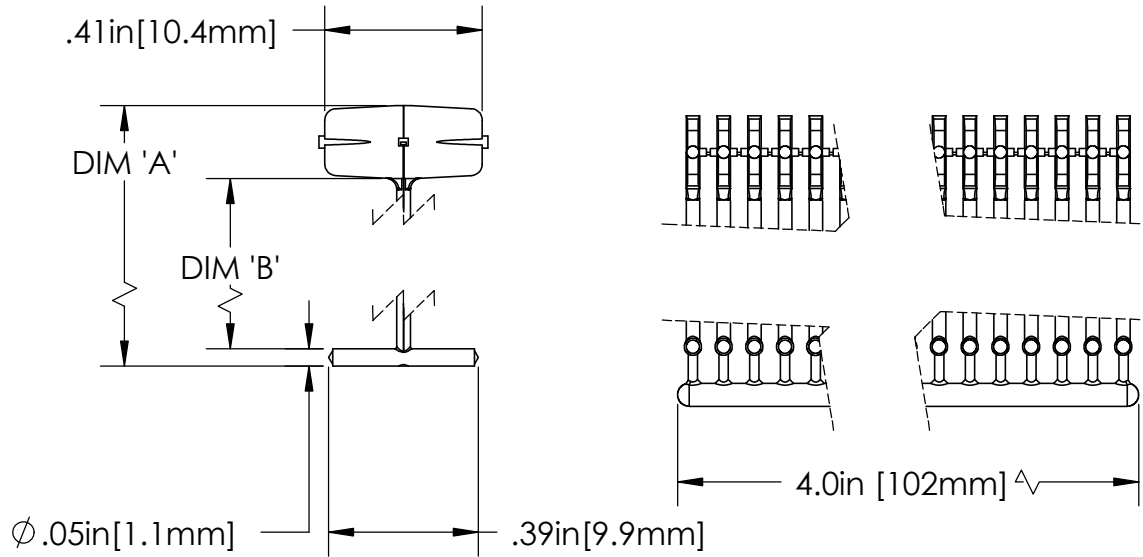
SPECIFIED TOLERANCES ARE:		MATERIAL	DESCRIPTION ECOTACH FF rPA (RECYCLED NYLON)	
.XX ± .03 INCHES	.X ± .7 mm	SEE TABLE	STOCK NO.	SEE TABLE
.XXX ± .010 INCHES	.XX ± .25 mm	COLOR		
ANGULAR: ± 2°		SEE TABLE		REV. <b>C</b>

# AVERY DENNISON MARKETING SPECIFICATION

© 2019 AVERY DENNISON CORPORATION. ALL RIGHTS RESERVED

## HISTORY

REV.	DATE	DESCRIPTION
A	01.20.21	CREATE SPECIFICATION



STOCK NUMBER	REV	COLOR	DIM 'A'	DIM 'B'	WEIGHT/CLIP
17045-0	A	DK GRAY	1.20in [30.5mm]/ 1.32in [33.5mm]	.91in [23mm]/ 1.06in [27mm]	3.3 GRAMS
17046-0	A	DK GRAY	2.13in [54mm]/ 2.36in [60mm]	1.89in [48mm]/ 2.13in [54mm]	4.0 GRAMS

NOMINAL TENSILE STRENGTH	5.0 LB [2268g] MIN
MATERIAL	>70% rPA; </=20% PA;
WEIGHT	SEE TABLE
CLIP QUANTITY	50
APPLICATION TOOL	MARK III SWIFTACH STD TOOL 10651-0
PACKAGED IN	5000 PER INNER CARTON 50000 PER MASTER CARTON

**APPROVALS:**  
 ENG. APPR. *Dave Schuttler 01.20.21*  
 Q.A. APPR. *Rick Estano 01.20.21*



FASTENER DIVISION  
 FITCHBURG, MA 01420 U.S.A.  
 TEL. 1-800-225-5913  
 FAX. 978-353-8157

SPECIFIED TOLERANCES ARE:		MATERIAL	DESCRIPTION Ecotach™ STD rPA (RECYCLED NYLON)	
.XX ± .03 INCHES	.X ± .7 mm	SEE TABLE	STOCK NO.	REV.
.XXX ± .010 INCHES	.XX ± .25 mm	COLOR	SEE TABLE	<b>A</b>
ANGULAR: ± 2°		SEE TABLE		